

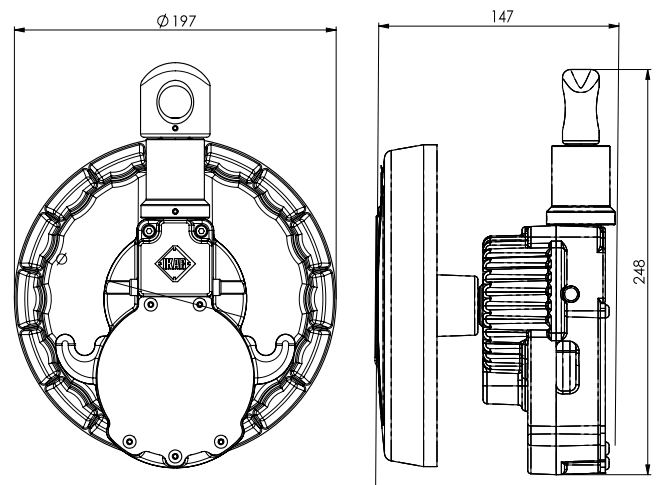
Temporary horizontal lifeline HAL

ABS 3a WH with force indicator

according to EN 341:2011/1A or 1B, EN 1496:2006/A, EN 795:2012 type B/C



Force indicator



Product information:

Order No.:	Suspension	Weight	Dimensions (LxBxT)	Function
41-HAL 12	Swivel	3,2 kg	248 x 197 x 147	Anchorage device / abseiling device

Features:

Temporary horizontal lifeline HAL

- Descent device with integrated tension indicator
- Equipped with an integrated switchable reverse lock, which facilitates the pretension of the lifeline system
- Minimum mounting height 6 m above ground level
- Maximum span 12 m
- System capacity of 1 Person
- Rescue length up to 2 m
- Pretension 1 kN
- Kernmantle rope \varnothing 10,5 mm
- Temperature range of application: -40°C bis +50°C
- Life service: approx 10 years

Application:

Rescue, descent

Areas of use:

Wind turbine generators, high level workplaces in industry, on construction site